

2. Products

2.1 VOLTAGE SENSORS

2.1.3 SMVS-UW1013

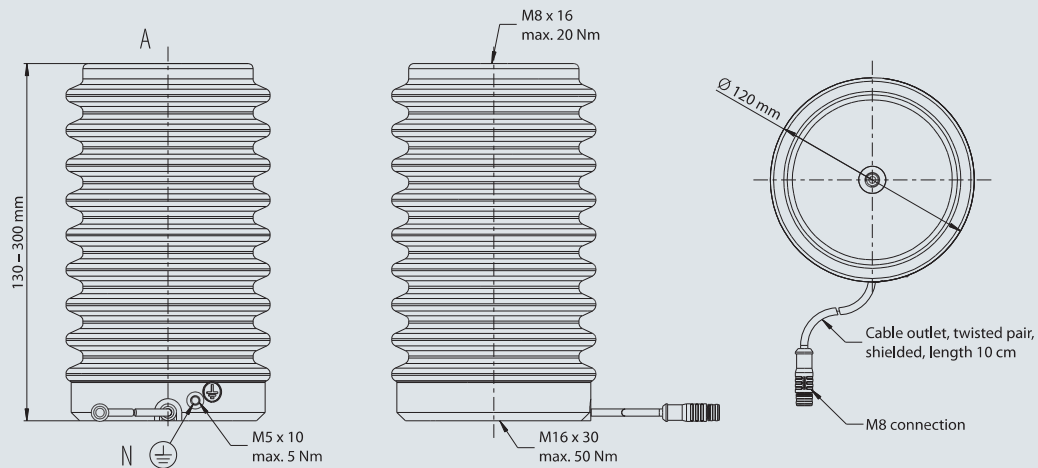
This air-insulated voltage sensor is suitable as original equipment and for retrofitting of air-insulated switchgears. The sensors don't have to be calibrated because the output signal (acc. to IEC60044-7) is guaranteed over the lifetime. Innovative design eliminates ambient influences from electrical and magnetical fields.

On the customer's request, this sensor can be used with supporting function (post insulator function). Technical details are provided in the specific data sheet on request.

The voltage sensors are originally equipped with shielded 2-pole connection cable with a M8-industrial socket. The connection to the electronic device will be realized with an additional extension cable with open ends or on customer request.



SMVS-UW1013



Datasheet SMVS-UW1013

Insulation level	12 / 28 / 75 24 / 50 / 125 36 / 70 / 170
Rated frequency	50 Hz / 60 Hz
Rated voltages	max. $30/\sqrt{3}$ kV
Voltage factor	1,2 U_N and 1,9 U_N 8h
Accuracy class / Protection class	0,2 / 0,5 / 1 / 3 // 3P / 6P
Rated secondary voltage	$3,25/\sqrt{3}$
Standard	IEC 60044-7 // IEC 61869-11
External conditions	Operation: -25°C to +40°C or -40°C to +40°C * Storage: -40°C to +80°C
Rated burden (Standard)	200kΩ ±1% Accuracy, 350 pF ±10% *
Connection cable & interface	See configuration table page 11
Overvoltage protection	Internal surge arrester
Height	12/28/75kV... 130mm 24/50/125kV... 210mm 36/70/170kV... 300mm
Max. bending strength	on request

* Alternatives on request