

## 2. Products

### 2.1 VOLTAGE SENSORS

The voltage sensor is mounted on the cable outlet at the back of the T-connector. Therefore, the insulating plug is replaced by the voltage sensor. The accuracy of the sensor, i.e. the absolute value error and phase error, is constant over the lifetime and have not to be recalibrated or readjusted. The calibration to the desired nominal and secondary voltage is performed at Zelisko. Cable length in delivery condition may not be changed.

The voltage sensor is suitable for both, original equipment and retrofitting, without any reconstructions of network stations necessary.

#### 2.1.1 SMVS-UW1001 (for symmetric plug)



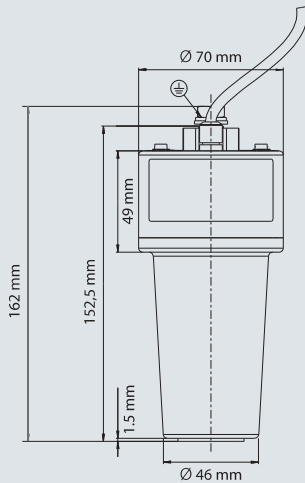
The cone of the voltage sensor is designed in accordance with EN50181, type C. Due to the standardized design it is possible to equip different T-connectors with this sensor.

#### 2.1.2 SMVS-UW1002-0, UW-1002-1 & UW-1002-2 (for asymmetric plug)

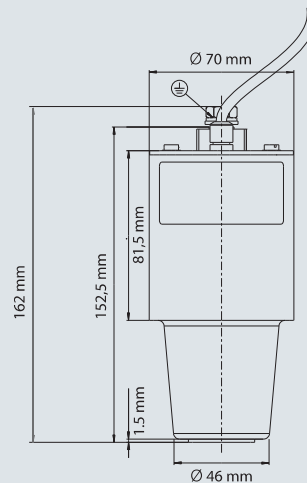
The voltage sensor with shortened cone fits to T-cable manufacturers according table page 13.



SMVS-UW1001



SMVS-UW1002-0



## Datasheet

SMVS-UW1001, SMVS-UW1002-0, SMVS-UW1002-1 & SMVS - UW1002-2

<b>Insulation level</b>	max. 36 / 70 / 170 kV
<b>Rated frequency</b>	50 Hz / 60 Hz
<b>Rated voltages</b>	max. $30/\sqrt{3}$ kV
<b>Voltage factor</b>	1,2 $U_N$ and 1,9 $U_N$ 8h
<b>Accuracy class / Protection class</b>	0,2 / 0,5 / 1 / 3 // 3P / 6P
<b>Rated secondary voltage</b>	$3,25/\sqrt{3}$ V (or on request)
<b>Standard</b>	IEC 60044-7 // IEC 61869-11
<b>External conditions</b>	Operation: -25°C to +40°C or -40°C to +40°C * Storage: -40°C to +80°C (or on request)
<b>Rated burden (Standard)</b>	200k $\Omega$ $\pm$ 1% Accuracy, 350 pF $\pm$ 10% *
<b>Connection cable &amp; interface</b>	See configuration table page 11
<b>Overvoltage protection</b>	Internal surge arrester
<b>Cable connector type</b>	<b>UW1001:</b> Nexans (K) 440TB / Cellpack: CTS-S / Südkabel SEHDT 13 & SEHDT23 * <b>UW1002-0:</b> Nkt CB-24, CC-24 / Raychem RSTI-58xx / RSTI-CC-58xx* <b>UW1002-1:</b> Südkabel SEHDT 36 / Nexans 430TB <b>UW1002-2:</b> Cellpack CTS 630A

\* Alternatives on request